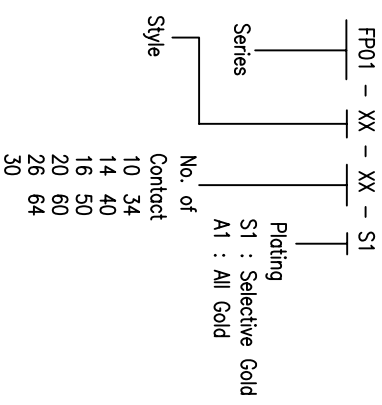


REV	ECN NO.	APP.	DATE
A	NEW DESIGN		

**SPECIFICATION**

- \* Current Rating:  
3 A
  - \* Withstanding Voltage:  
500 VAC ( 1 min. )
  - \* Insulation Resistance:  
1000 Megohms min.
  - \* Contact Resistance:  
20 Milliohms max.
  - \* Operating Temperature:  
-40°C to +85°C
- MATERIAL**
- \* Contact: Phosphor Bronze
  - \* Insulator: PBT & 30% G. F.
  - \* Plated: Selective Gold  
or All Gold

**ORDER INFORMATION**



<b>SHINHWHA TECH CO.,LTD</b>			
0.0±	SCALE:	TITLE: 2.54mm (.100") Center	
0.00±	UNIT: MM	TRANSITION PLUG	
0.000±		CONNECTOR	
	MATL:	PBT + 30% G.F.	
	DWG. NO.	FP01	DR BY:
			CHK BY:
			PART NO:
			APP BY: